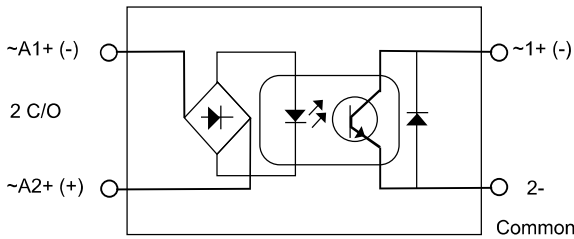
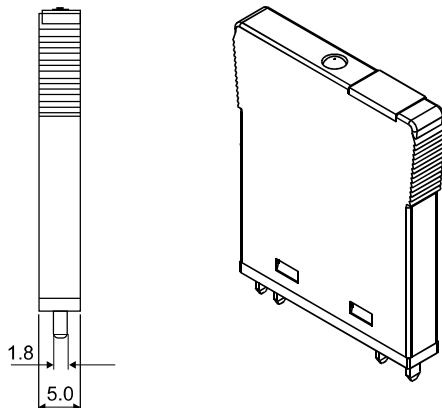
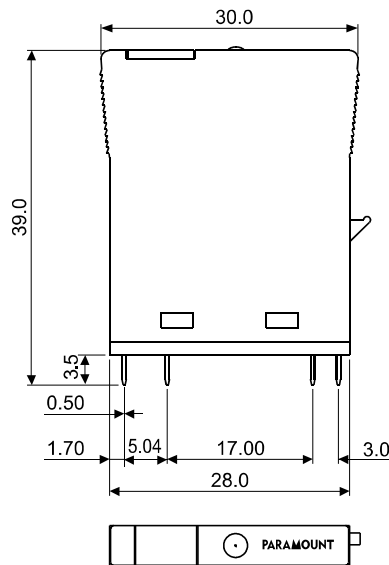




**Pin configuration**



**Dimensions in mm.**



**P5S**

**Solid State Relay for Input Application**

**DC Resistive Load** (common Positive Output can be given on request)  
**Common Negative Output**  
**One Open Contact**  
**100mAmps @ 32VDC Max.**

**Input Parameters**

S/N	Nominal Input Voltage in VAC	Must ON Voltage in VAC	Must OFF Voltage in VAC	Operating Vg Range in VAC
1	5	4.0	3.6	4.0 - 5.5
2	12	9.6	8.5	9.6 - 13.2
3	24	19.2	17.0	19.2 - 26.4
4	48	38.4	34.0	38.4 - 52.8
5	110	85.0	75.0	85.0 - 125.0
6	220	195.0	174.0	185.0 - 250.0

S/N	Nominal Input Voltage in VAC	Must ON Voltage in VAC	Must OFF Voltage in VAC	Operating Vg Range in VAC
1	110	85	75	85 - 125
2	230	185	165	185 - 250

**Input Current**

5 / 12 / 24 / 48 / 110 / 220 VDC } 4 mA Max.

**Output Parameters**

Max. Output Current 100mA DC  
 Max. Output Voltage 32 VDC  
 Max. Leakage Current 100 µA

**Specification**

Isolation Between Input / Output 1.2 KV  
 Operate Time @ Rated voltage 7 msecs Max  
 Release Time @ Rated voltage 20 msecs Max.  
 Working Temperature Max. 60° C  
 Storage Temperature -40° C to 85° C  
 Weight 5.5 gms

**Application**

For input applications, for PLC controller,  
 for low current / low voltage DC signaling application

**Standard Types**

DC : 5, 12, 24, 48, 110 P5S - DI Input voltage  
 AC : 110, 230 P5S - DI ..... VDC  
 P5S - DI ..... VAC

**Suitable Socket : S5D, S5P**

**Approvals**